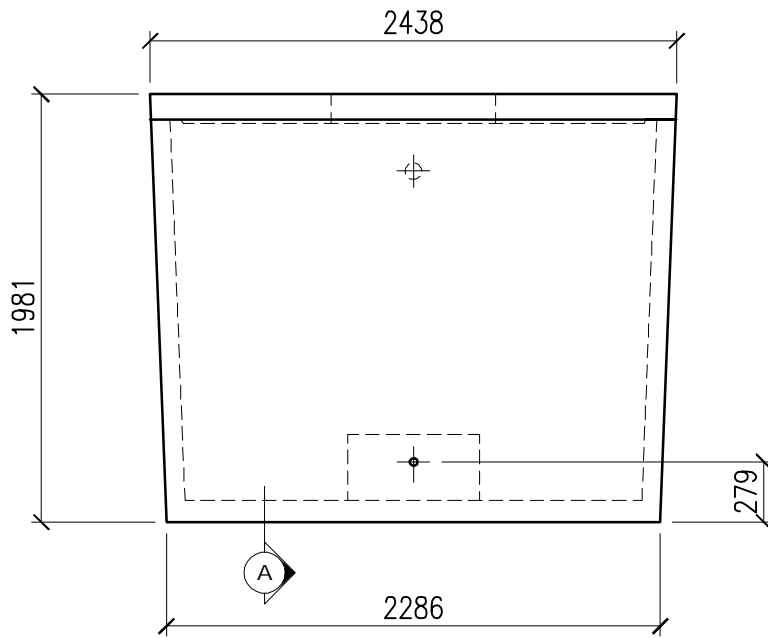


SECTION A



END VIEW

westcon
precast inc.

**M-3000
HOLDING TANK**

| | | | | |
|-----------------|---------------------------------|--------------|------------|---------|
| CONCRETE | RELEASE 28 day 15 MPa 35 MPa | AIR 6-8% | SLUMP 70mm | TYPE 50 |
| LOWER | UPPER | TOTAL | | |
| - kg | - kg | 11,525 kg | | |
| DATE: JAN. 2016 | CODE: 0100 | BY: CW | | |

DWG. NO. **W3-12**
Rev. **O**