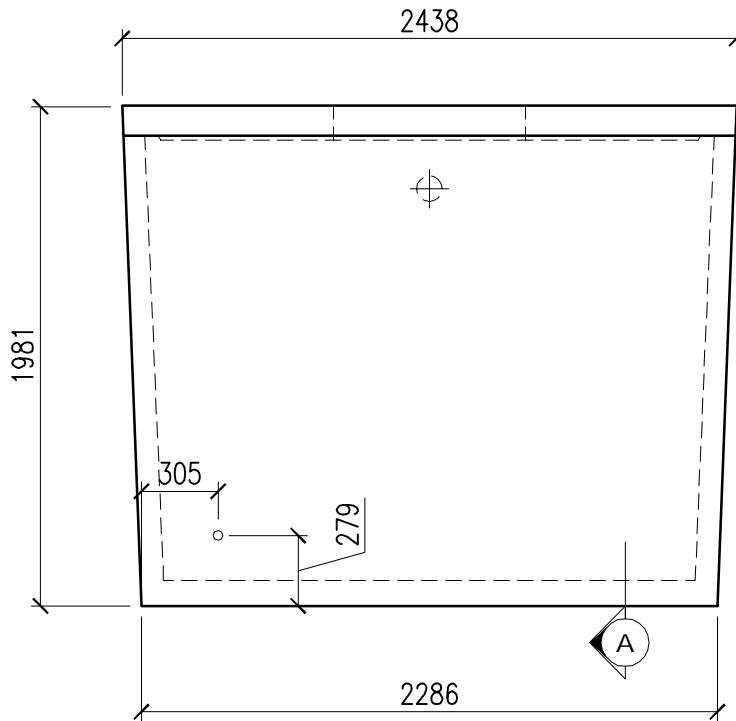


**SIDE VIEW**



**END VIEW**

**westcon**  
precast inc.

**M-2000  
HOLDING TANK**

CONCRETE	RELEASE 15 MPa	28 day 35 MPa	AIR 6-8%	SLUMP 70mm	TYPE 50
TANK	LID		TOTAL		
- kg	- kg		5900 kg		
DATE: JAN. 2016	CODE: 0101		BY: CW		

DWG. NO.  
**W3-08**

Rev. **O**