



Alberta Retaining Wall

ARW is a mortar-free system that lends itself easily to landscape projects such as terrace gardens and retaining walls. Installation is fast and easy and ARW is available in a number of colours that can compliment most garden applications, so choose one that best suits your landscape.

Preparation

Before beginning to excavate and construct, prepare a layout for your ARW project. Be sure to consider drainage patterns, soil conditions, and local building codes. Base preparation is dependant on what size and type of project you plan to build. Projects designed with more than three courses require the base course of ARW to be buried below grade.

Installation

1. Begin your project by digging a trench of the required depth and width. Place 75mm to 100mm (3 to 4 inches) of crushed rock in the bottom. Level and compact.
2. Place a row of ARW in the trench, leveling the block from side to side and from front to back. Fill behind ARW with clean, crushed rock and compact the back fill, check level of ARW again.
3. Continue assembling additional courses by positioning the units in a staggered relationships with the course below. Backfill each course with crushed rock and compact as you go.
4. Install the last course using cap block. Back fill with top soil if needed.

Home Owners Tip

Sweep clean the top of each course and apply a construction adhesive for extra strength in any mortar-free wall application.



Bottom



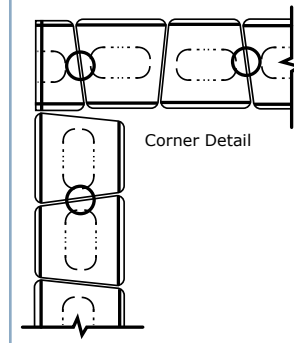
Cap



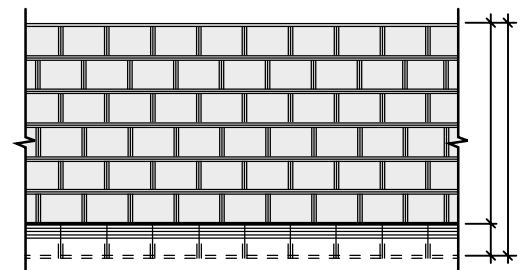
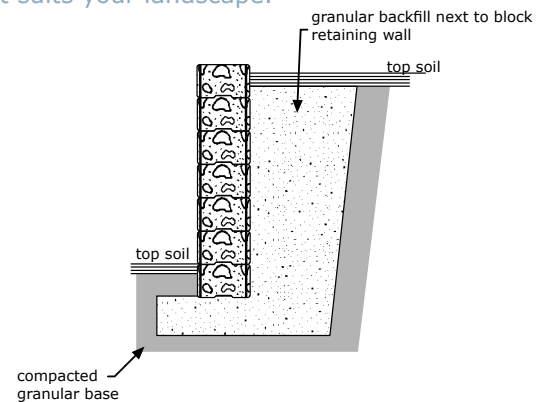
Corner Block



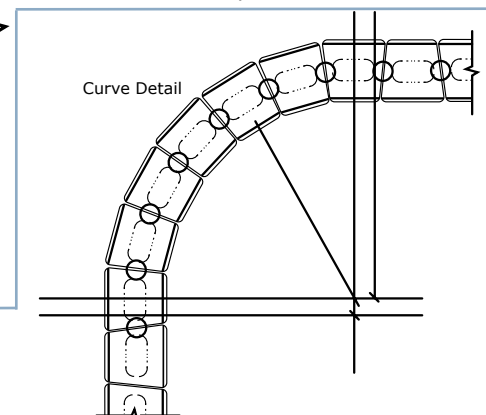
Top



Corner Detail



90 degree corners are made by using the corner block. Split the block in half using a hammer and chisel. This will make two corner blocks or half blocks. Alternate the blocks on the corner. Use construction adhesive to secure the blocks in place.



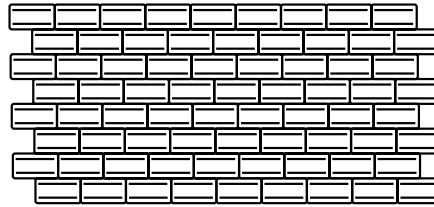
Curve Detail



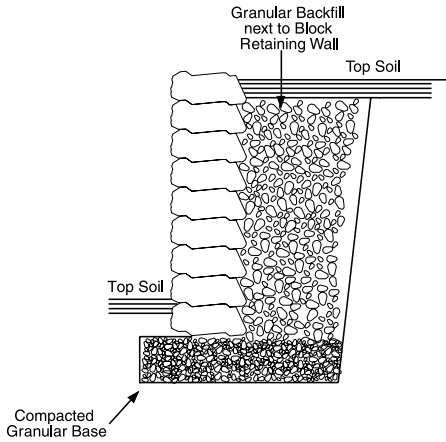
	Split Piece
Length	380mm/15"
Width	295mm / 11 ¹ / ₂ "
Thickness	150mm/6"

Coverage: 23 split pcs./ m²
 Packaging: 8 Pieces Un-split – 16 pcs. field
 Stock Colours: Natural Only

Slopestone

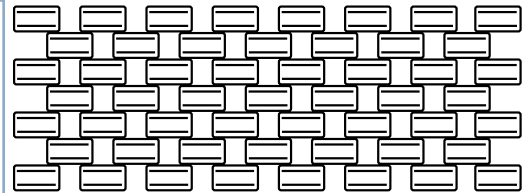


Straight Wall Laying Pattern



Installation

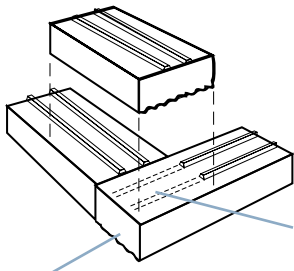
1. Excavate the area to undisturbed soil.
2. Place and compact a 75-100mm (3"- 4") layer of crushed rock base.
3. Split the Wallstone or Slopestone by striking centre seams with a chisel and heavy sledge (leave Wallstone bottom course un-split for extra footing).
4. Place on prepared base in a runner pattern for straight walls. For curves in Slopestone walls see figure a.
5. Use coping stone for top course of Wallstone (Slopestone does not require a cap).
6. Backfill the wall with a well draining granular material.
7. Maximum recommended height for these walls is 1200mm (48"). Contact your Westcon Representative for details on higher walls.



Curved Wall Laying Pattern

Westcon's Slopestone is a superior application for heavy duty and industrial retaining wall requirements. Engineered for strength and easy installation, Slopestone is a solid and dependable wall for contractor or homeowner use.

Wallstone



Remove Ridges from each corner piece.

Break approximately 25mm (1") from the end of each corner piece to match split face texture.

A simple, inexpensive retaining wall easily built by contractors or home owners, The tongue and groove design provides accurate positioning and allows the wall to be built vertically or stepped back. Each piece has one broken and one smooth face to provide a choice of wall finish. Red or Charcoal-Tan

	Full Piece	Split Piece
Length	300mm/12"	300mm/12"
Width	400mm/16"	200mm /8"
Thickness	100mm/4"	100mm/4"

Coverage: 33 split pcs./m²
 Packaging: 40 Pieces Un -split- 24 pcs. field / 16pcs. coping
 Stock Colours: Red, Charcoal-Tan

