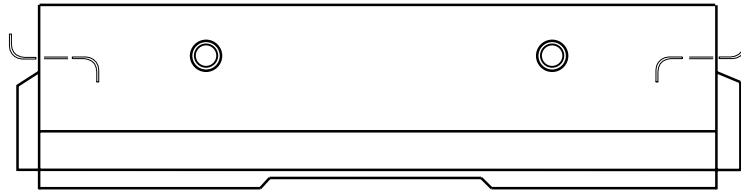
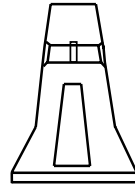


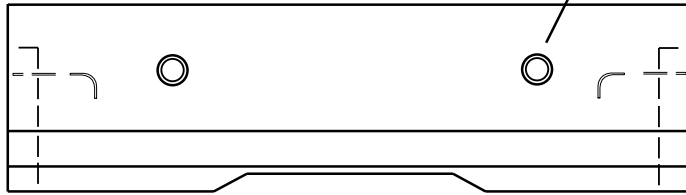
Type F Barriers



ELEVATION - Male Unit
Mass: 1922 kg (4228 lbs)

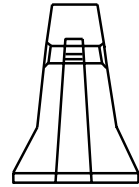


END VIEW

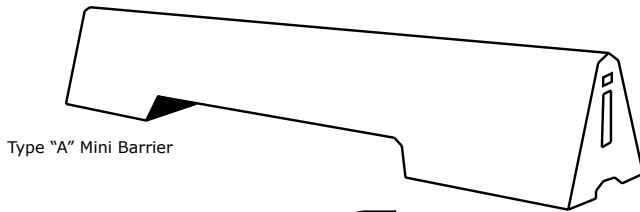


ELEVATION - Female Unit
Mass: 1922 kg (4228 lbs)

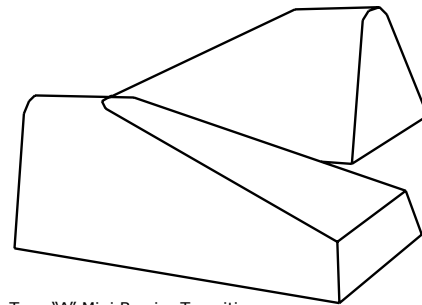
80 DIA LIFT HOLES



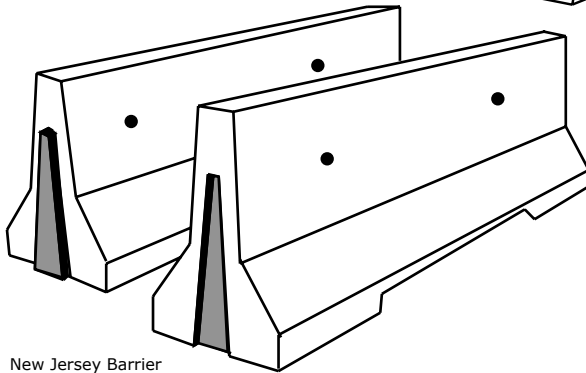
END VIEW
FEMALE



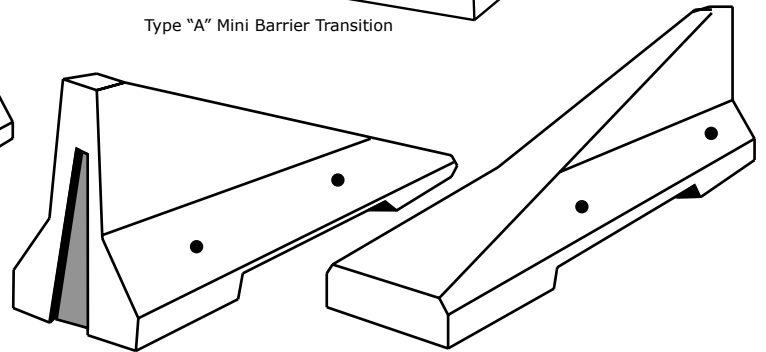
Type "A" Mini Barrier



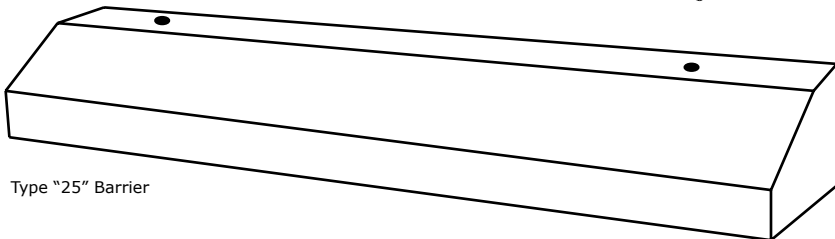
Type "A" Mini Barrier Transition



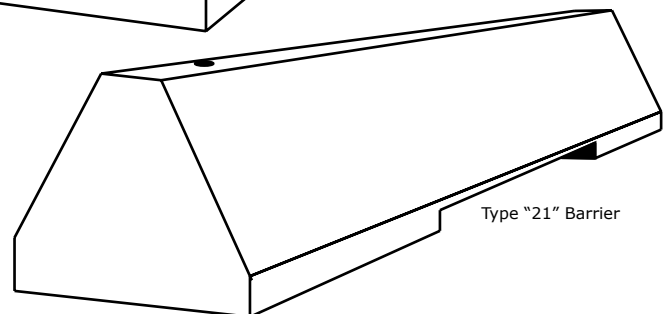
New Jersey Barrier



New Jersey Barrier Transition



Type "25" Barrier

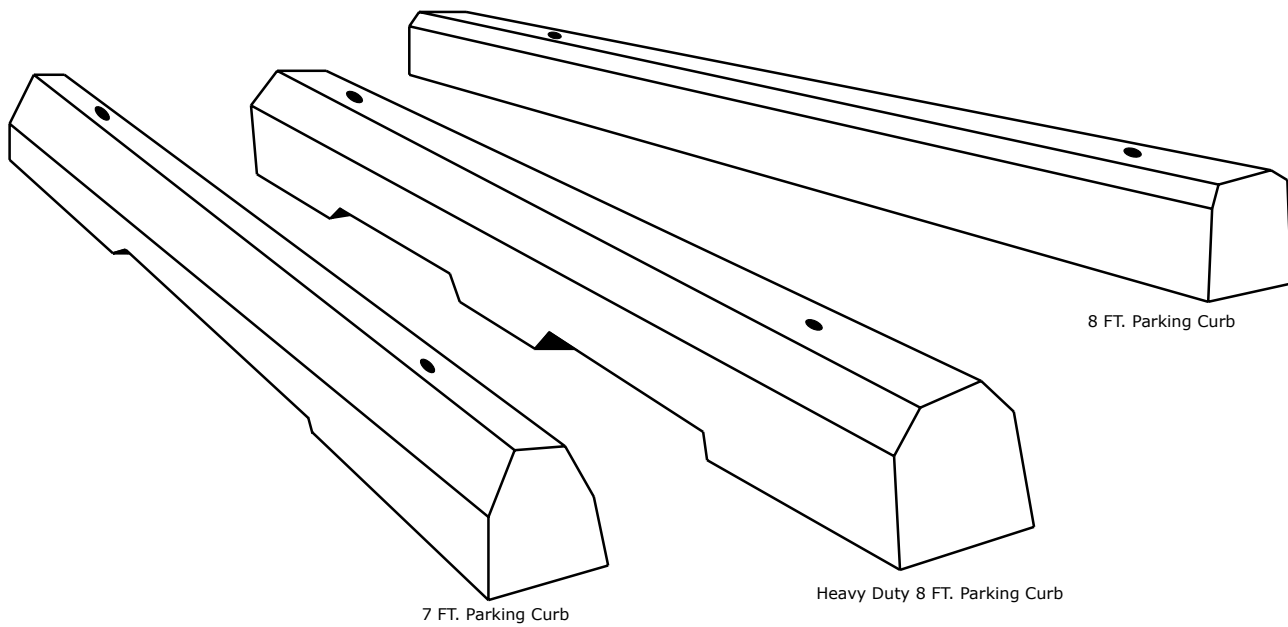


Type "21" Barrier

www.westconprecast.com 19 Riel Drive St. Albert Alberta T8N 1N2 4412 54th Avenue SE Calgary, Alberta T2C 2B9

Curbs & Barriers

westcon precast inc.



DESCRIPTION	LENGTH	WIDTH	HEIGHT
Type "A" Mini Barrier	10' 3.05m	17" Bottom 43.18 cm 5" Top 12.7 cm	18" 45.72 cm
Type "A" Mini Barrier Transition	4' 1.22m	17" Bottom 43.18 cm 5" Top 12.7 cm	18" 45.72 cm
New Jersey Barrier	10' 3.05m	24" Bottom 60.96 cm 6" Top 15.24 cm	35" 88.9 cm
New Jersey Transition	9'6" 2.9m	24" Bottom 60.96 cm 6" Top 15.24 cm	35" 88.9 cm
Type "25" Barrier	8' 2.44m	19-1/2" Bottom 49.53 cm 10" Top 25.4 cm	12" 30.48 cm
Type "21" Barrier	10' 3.05m	24" Bottom 60.96 cm 6" Top 15.24 cm	18" 45.72 cm
7 Ft. Parking Curb	7' 2.13m	7-1/2" Bottom 19.05 cm 4" Top 10.16 cm	6-1/2" 16.51 cm
Heavy Duty 8' Parking Curb	8' 2.44m	7-1/2" Bottom 19.05 cm 4" Top 10.16 cm	8" 20.32 cm
8 Ft. Parking Curb	8' 2.44m	7" Bottom 17.78 cm 6" Top 15.24 cm	6" 15.24 cm